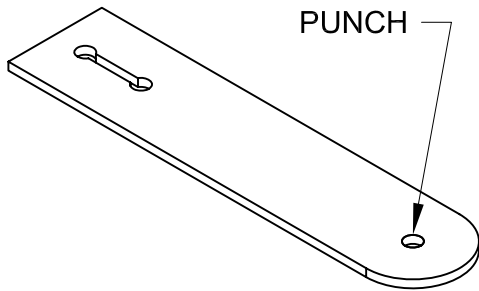
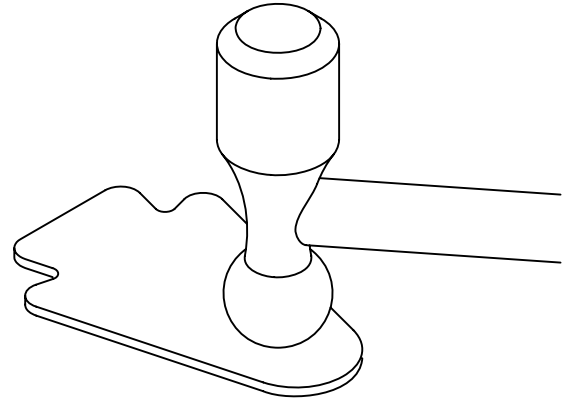


PACK 409 - PROGRESS TOWARDS ADVANCEMENT BADGE (ARROW HEAD STYLE)

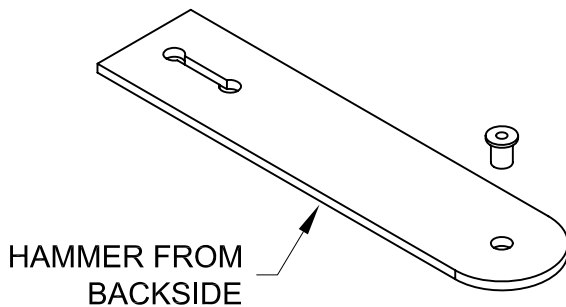
STEP 1: USING THE LEATHER PUNCH, PUNCH A HOLE IN THE END OF THE LEATHER STRAP.



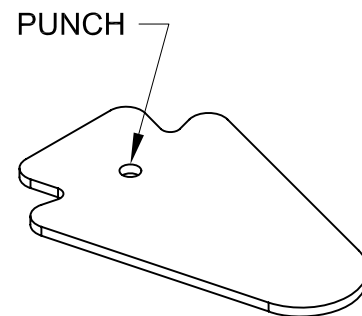
STEP 2: USING THE ROUND END OF A BALL PEEN HAMMER, TAP THE ARROW HEAD TO ADD TEXTURE.



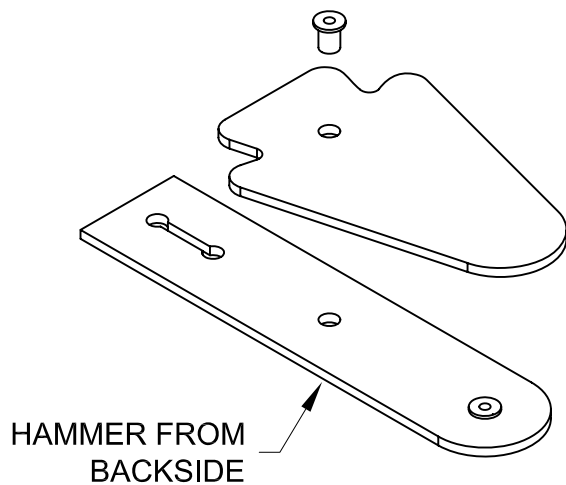
STEP 3: USING THE SHORT RIVET, INSERT INTO THE STRAP AND PEEN FLAT. (RIVET FROM THE BACKSIDE)



STEP 4: USING THE METAL PUNCH, PUNCH A HOLE IN THE ARROW HEAD 1/2" FROM THE TOP AS SHOWN.



STEP 5: USING THE ARROW HEAD AS A GUIDE, PUNCH A HOLE IN THE STRAP AND SECURE WITH LONG RIVET.



STEP 6: BADGE BODY IS NOW COMPLETE. STRING THE BEAD LACING THROUGH THE LOWER HOLE.

