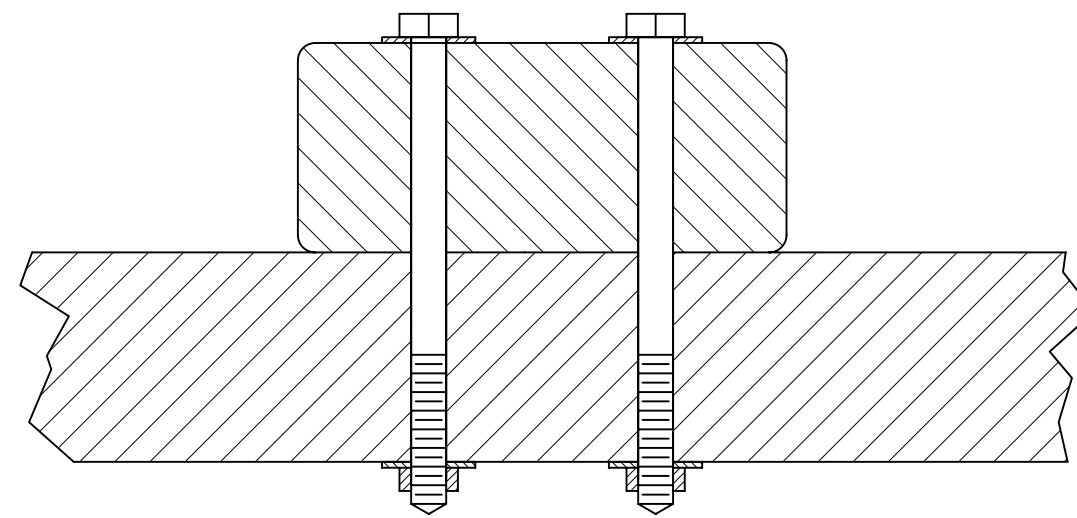
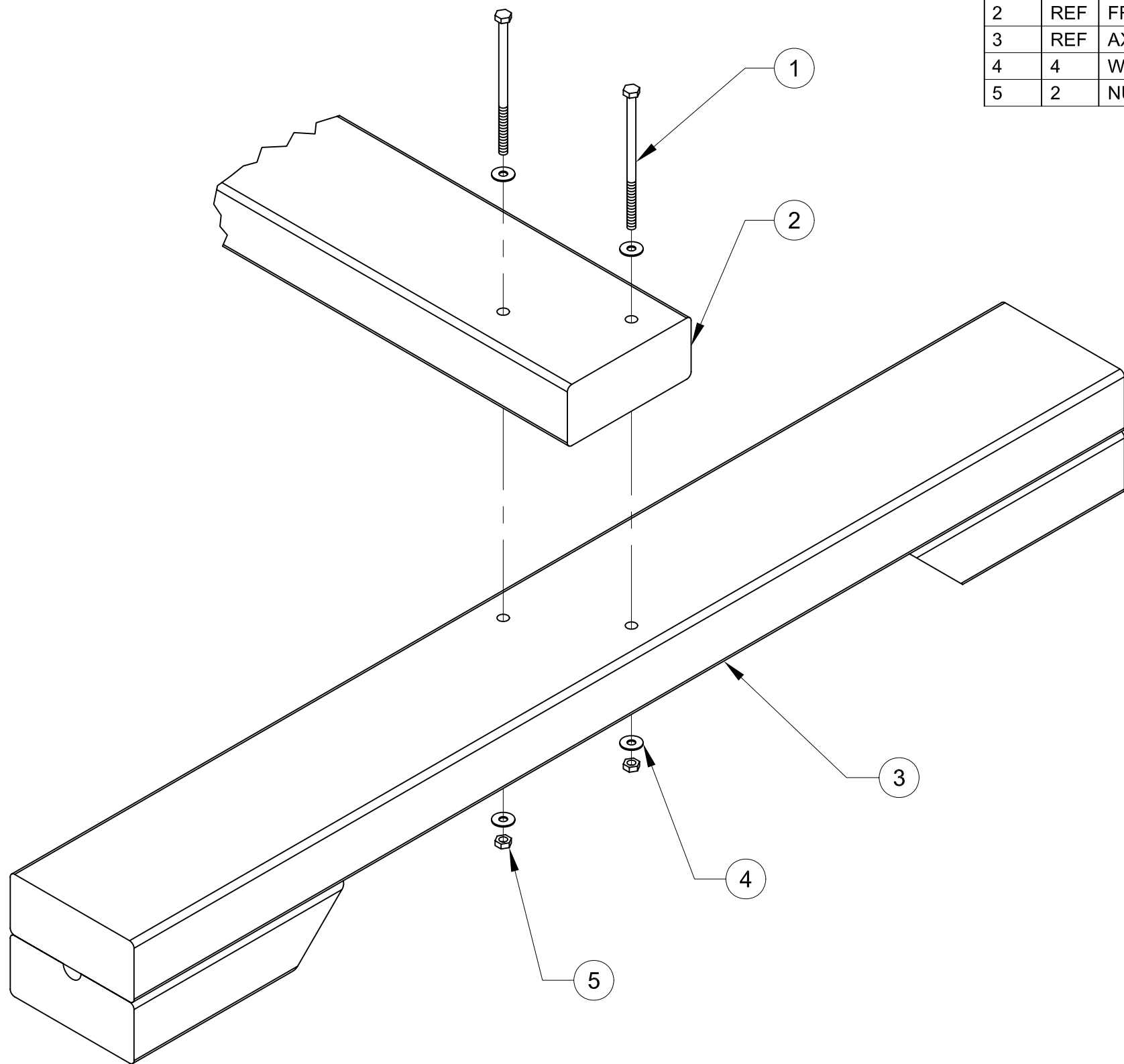


ITEM	QTY	DESCRIPTION	WIDTH	LENGTH	UM	PART NUMBER	MATERIAL	TYP
1	2	BOLT, 1/4"		3.50	EA		STEEL	P
2	REF	FRAME, MAIN			EA			D
3	REF	AXEL, REAR			EA			D
4	4	WASHER, FLAT 1/4"			EA		STEEL	P
5	2	NUT, 1/4"			EA		STEEL	P



SECTIONED/ASSEMBLED VIEW

A AXEL SHOULD BE SQUARE WITH MAIN FRAME.

THIS DRAWING IS THE PROPERTY THE CUSTOMER. IT SHALL NOT BE COPIED (IN WHOLE OR IN PART), FOR MANUFACTURE OR OTHERWISE DISCLOSED WITHOUT PRIOR WRITTEN CONSENT OF THE CUSTOMER.		TOLERANCES		SCALE: 1:2	TITLE: PACK 409 CUB-MOBILE ASSEMBLY, REAR AXEL	
		MACHINING	FABRICATION	DRAWN BY: MLGATES		
ESTIMATED WEIGHT:	FIRST ORDERED ON:	X.	± .040	ALL	± .06	DATE:
		X.X	± .020	ANGULAR	2°	CHECKED BY:
		X.XX	± .010	ALL FINISHES	125mu	DATE:
		X.XXX	± .005	DEBURR ALL SHARP CORNERS OR EDGES		
		ANGULAR	± 1/2°			
				SIZE: A SHEET 1 OF 1		REV: AXEL-2
				DWG NO:		

AUTOCAD DRAWING: FORM REVISION 09-01-00