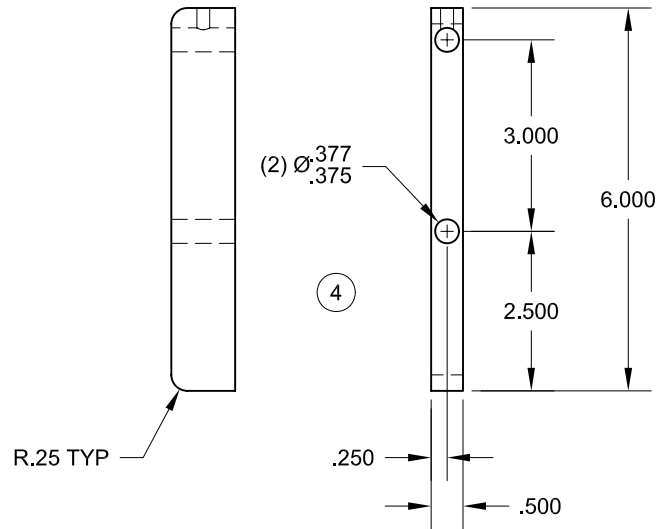
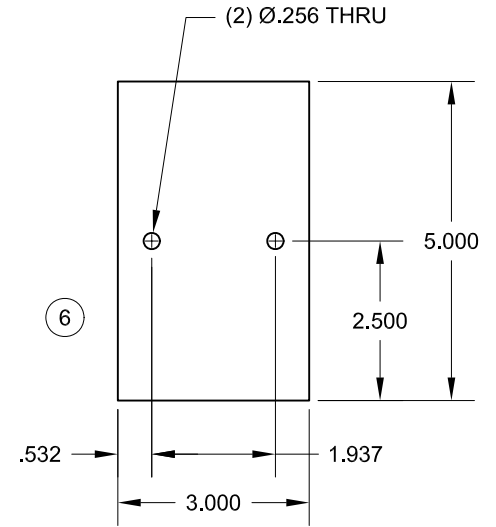
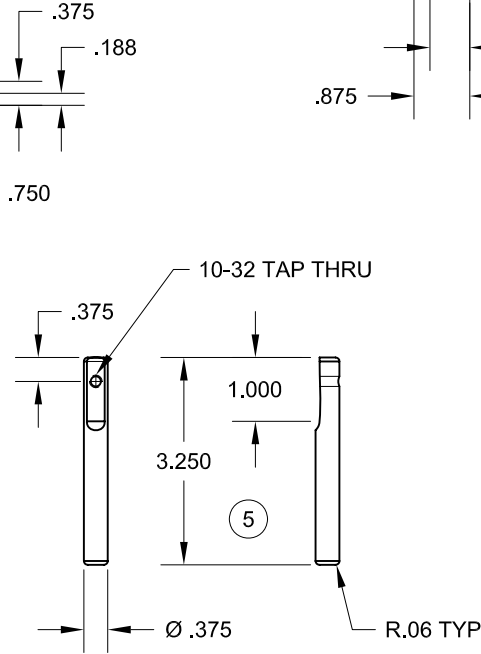
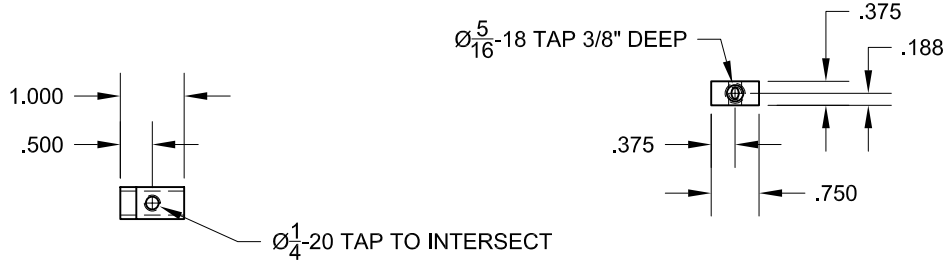
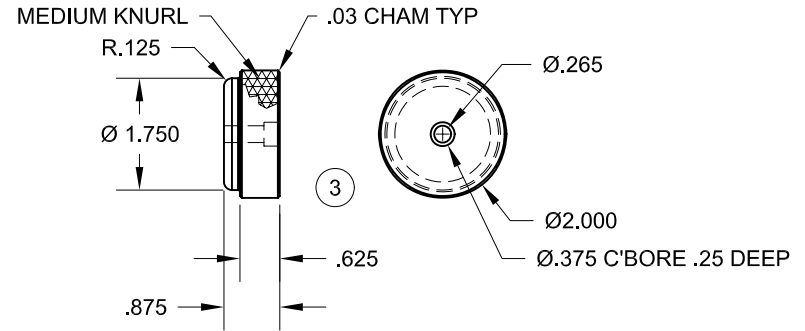
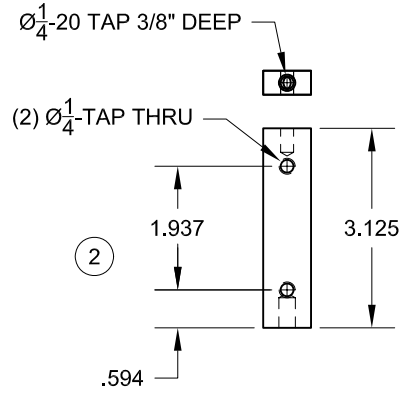
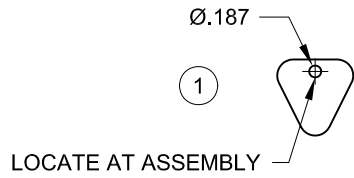


ITEM	QTY	DESCRIPTION	WIDTH	LENGTH	UM	PART NUMBER	MATERIAL	TYP
1	1	PICK, GUITAR			EA		PLASTIC	P
2	1	BAR, RECT. 3/8" X 3/4"		3.25	EA		ALUM	CM
3	1	BAR, ROUND 2"		1.00	EA		ALUM	CM
4	1	BAR, RECT. 1/2" X 1"		6.125	EA		ALUM	CM
5	1	BAR, ROUND 3/8"		3.375	EA		ALUM	CM
6	50	CARD, INDEX 3" X 5"			EA		CARD STK	P



THIS DRAWING IS THE PROPERTY THE CUSTOMER. IT SHALL NOT BE COPIED IN WHOLE OR IN PART, FOR MANUFACTURE OR OTHERWISE DISCLOSED WITHOUT PRIOR WRITTEN CONSENT OF THE CUSTOMER.		TOLERANCES		SCALE: 1:2	TITLE: PACK 409- PROJECT FLIPBOOK VIEWER
		MACHINING	FABRICATION	DRAWN BY: MGATES	DATE: 03NOV08
ESTIMATED WEIGHT:	FIRST ORDERED ON:	X	±.040	ALL ANGULAR	±.06
		X.X	±.020	ALL FINISHES	125mm
		X.XX	±.010	DEBURR ALL SHARP CORNERS OR EDGES	
		X.XXX	±.005		
		ANGULAR	± 1/2°		
				CHECKED BY:	SIZE: A SHEET 1 OF 1
				DATE:	REV
					DWG NO: COMPONENTS

AUTOCAD DRAWING: FORM REVISION 09-01-00