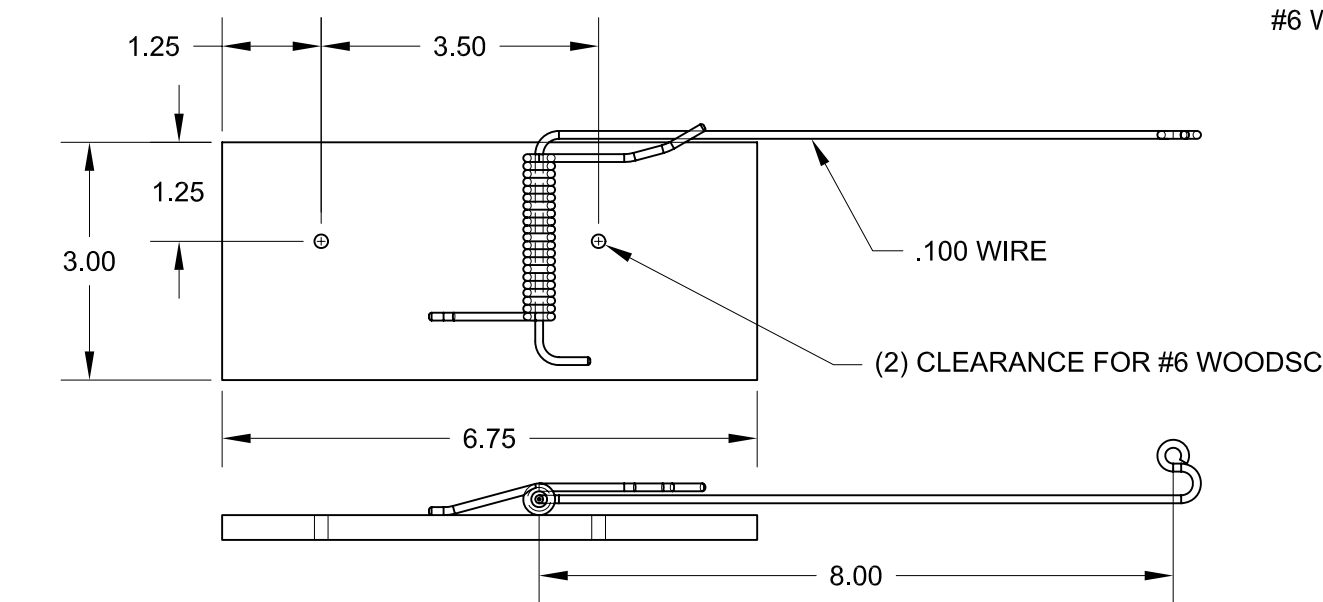
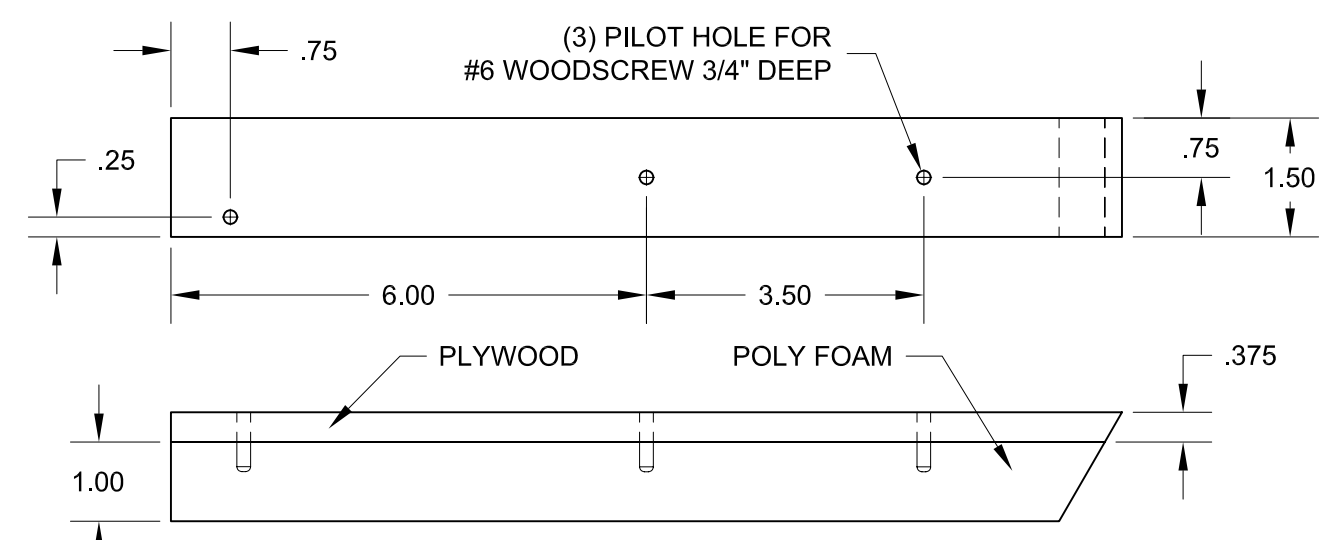


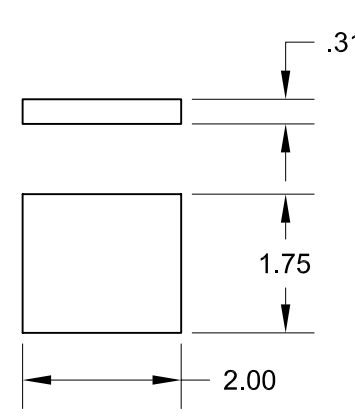
① ITEM 1 (POLYSTYRENE AND PLYWOOD GLUED)



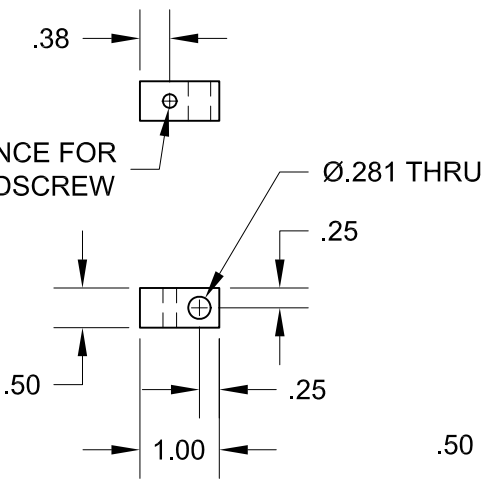
② ITEM 2 (TRAP WIRES REMOVED, CUSTOM ARM INSTALLED)



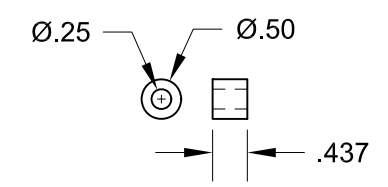
③ ITEM 3 (POLYSTYRENE AND PLYWOOD GLUED)



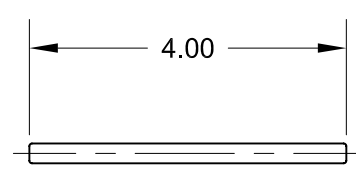
④ ITEM 4



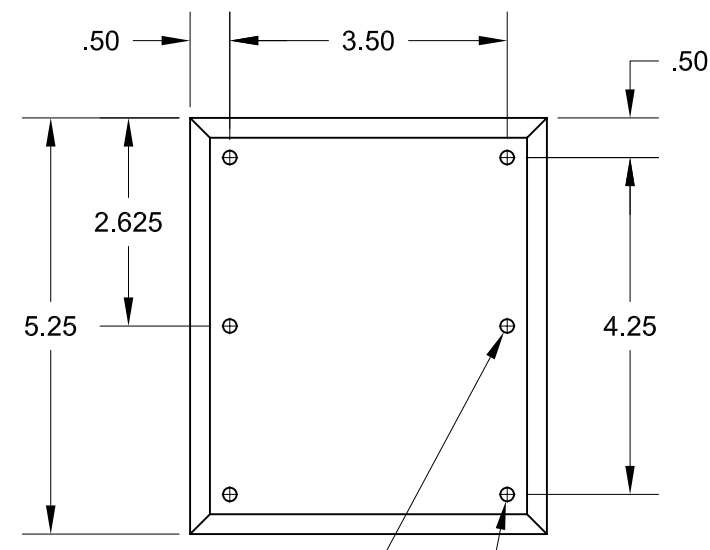
⑤ ITEM 5



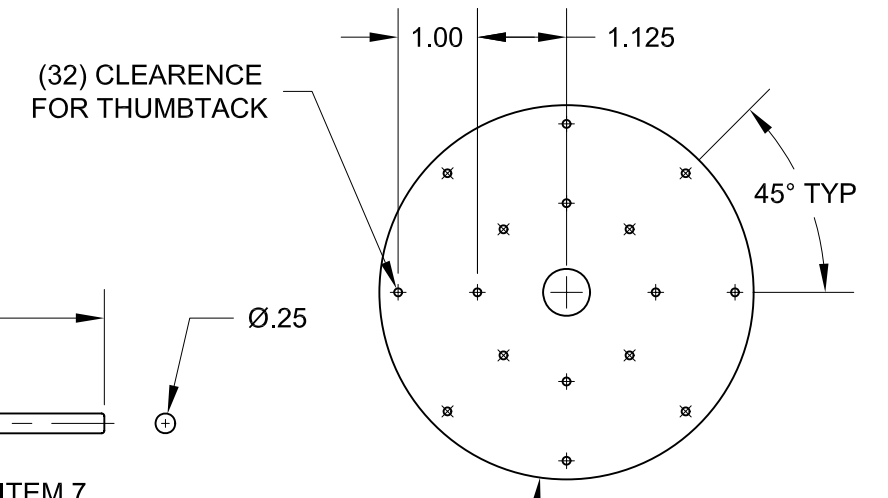
⑥ ITEM 6



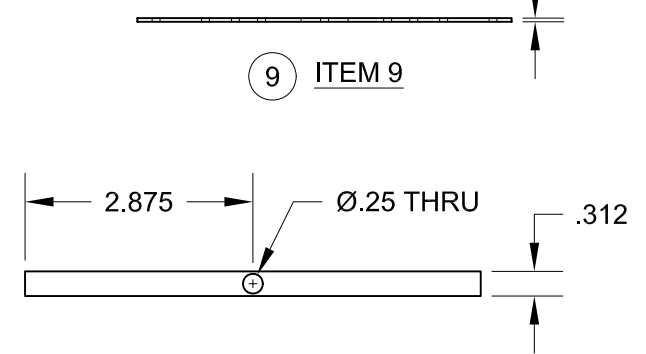
⑦ ITEM 7



⑧ ITEM 8



⑨ ITEM 9



⑩ ITEM 10

ITEM	QTY	DESCRIPTION	WIDTH	LENGTH	UM	PART NUMBER	MATERIAL	TYP
1	1	FLOAT, LEFT			EA		NOTE	CM
2	1	RAT TRAP (MODIFIED)			EA		NOTE	CM
3	1	FLOAT, LEFT			EA		NOTE	CM
4	6	PADDLE- (DOWEL ROD)			EA		WOOD	CM
5	2	BEARING			EA		NYLON	CM
6	2	SPACER- (DOWEL ROD)			EA		WOOD	CM
7	1	DRIVESHAFT (DOWEL ROD)		4.0	EA		WOOD	CM
8	1	BEAM, MAIN			EA		PLYWOOD	CM
9	2	PLATE, PADDLE (CD OR DVD)			EA		PLASTIC	CM
10	1	PADDLE, DRIVE			EA		WOOD	CM

THIS DRAWING IS THE PROPERTY THE CUSTOMER. IT SHALL NOT BE COPIED (IN WHOLE OR IN PART), FOR MANUFACTURE OR OTHERWISE DISCLOSED WITHOUT PRIOR WRITTEN CONSENT OF THE CUSTOMER.

ESTIMATED WEIGHT: FIRST ORDERED ON:

TOLERANCES	
MACHINING	FABRICATION
X. ±.040	ALL ±.06
X.X ±.020	ANGULAR 2°
X.XX ±.010	ALL FINISHES 125mu
X.XXX ±.005	DEBURR ALL SHARP CORNERS OR EDGES
ANGULAR ± 1/2°	

SCALE: 1:2

DRAWN BY: M GATES

DATE: 02NOV09

CHECKED BY:

DATE:

TITLE: PACK 409- PROJECT MOUSE BOAT

SIZE: A SHEET 1 OF 1 REV

DWG NO: COMPONENTS

COURTESY: FORM REVISIONS