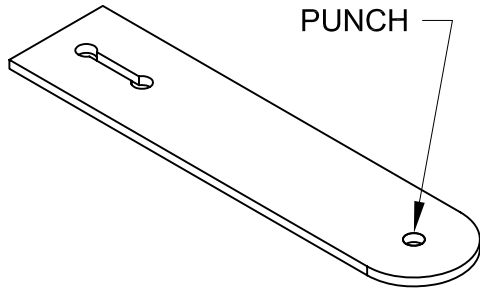
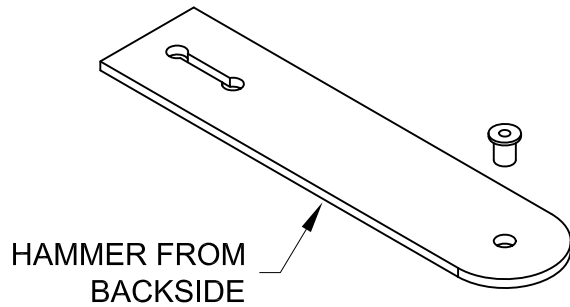


PACK 409 - PROGRESS TOWARDS ADVANCEMENT BADGE (FLEUR-DE-LIS STYLE)

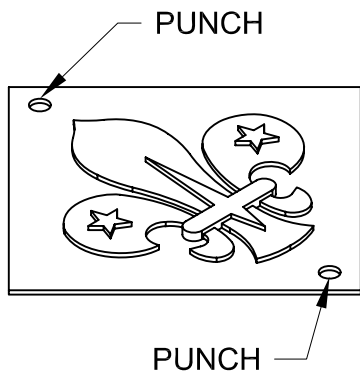
STEP 1: USING THE LEATHER PUNCH, PUNCH A HOLE IN THE END OF THE LEATHER STRAP.



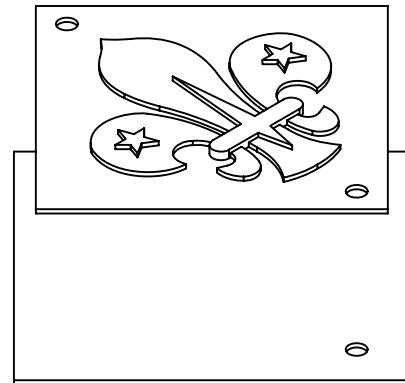
STEP 2: USING THE SHORT RIVET, INSERT INTO THE STRAP AND PEEN FLAT. (RIVET FROM THE BACKSIDE)



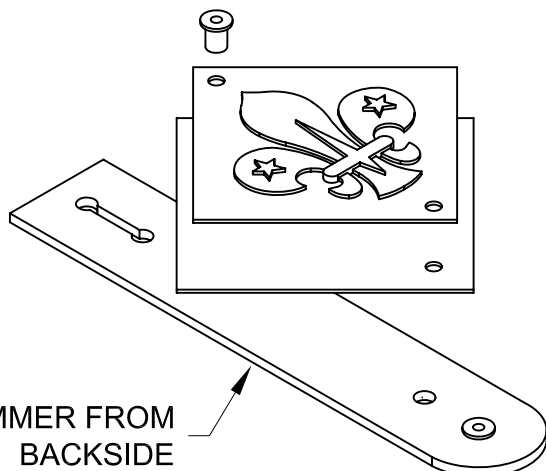
STEP 3: PUNCH TWO HOLES INTO THE FLEUR-DE-LIS NEAR THE TOP AND THE BOTTOM EDGE.



STEP 4: USING THE FLEUR-DE-LIS AS A TEMPLATE, CENTER THE BACKING PIECE AND PUNCH 2 HOLES.



STEP 5: USING THE BACK PIECE AS A GUIDE, PUNCH 2 HOLES IN THE STRAP AND ASSEMBLE WITH RIVETS.



STEP 6: BADGE BODY IS NOW COMPLETE. STRING THE BEAD LACING THROUGH THE LOWER HOLE.

