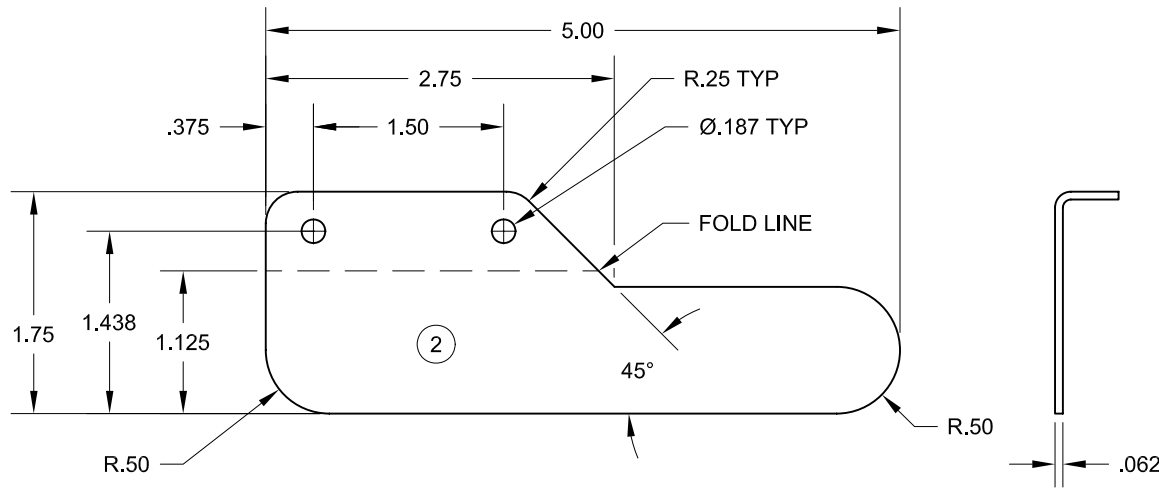
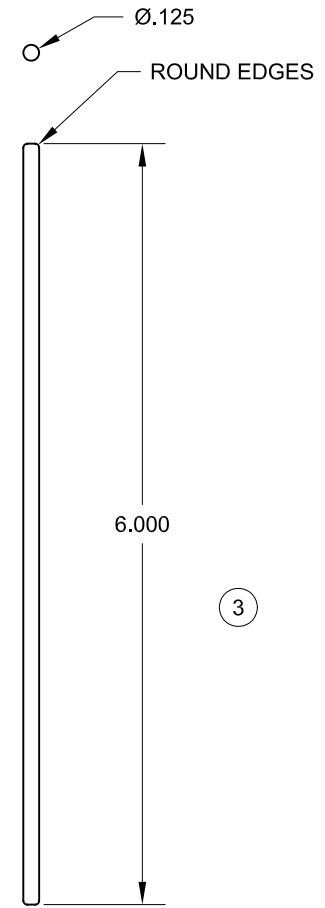
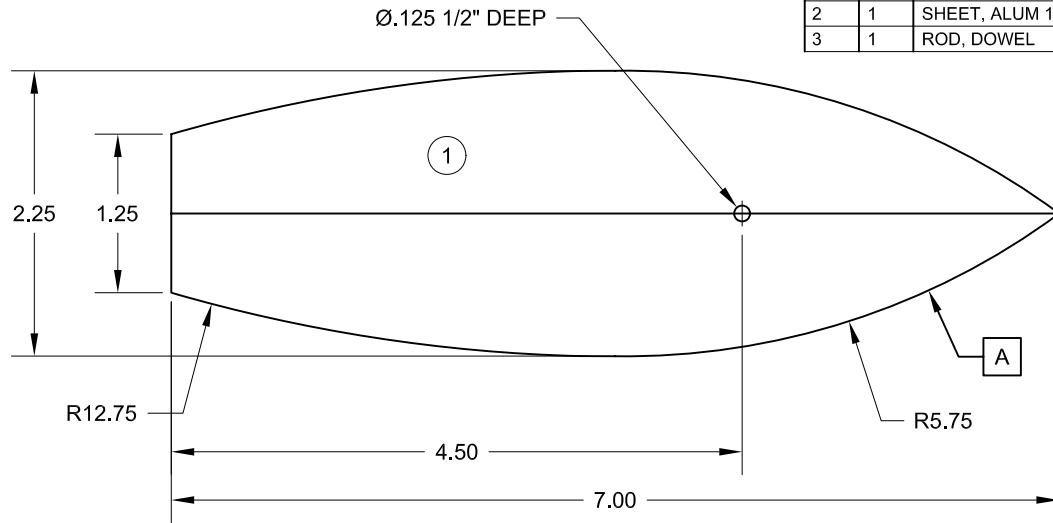


ITEM	QTY	DESCRIPTION	WIDTH	LENGTH	UM	PART NUMBER	MATERIAL	TYP
1	1	WOOD, PINE	2.25	7.00	EA		PINE	CM
2	1	SHEET, ALUM 1/16"	2.25	5.00	EA		ALUM	CM
3	1	ROD, DOWEL		6.00	EA		WOOD	P



A ROUTE EDGES 1/8" TOPSIDE 3/8" BOTTOMSIDE

THIS DRAWING IS THE PROPERTY THE CUSTOMER. IT SHALL NOT BE COPIED (IN WHOLE OR IN PART), FOR MANUFACTURE OR OTHERWISE DISCLOSED WITHOUT PRIOR WRITTEN CONSENT OF THE CUSTOMER.		TOLERANCES		SCALE: 1:1	TITLE: CUB SCOUT PACK 409 PROJECT- SAILBOAT	
		MACHINING	FABRICATION	DRAWN BY:	DATE:	REV
ESTIMATED WEIGHT:	FIRST ORDERED ON:	X	± .040	ALL	± .06	SIZE: A SHEET 1 OF 1
		X.X	± .020	ANGULAR	2°	
		X.XX	± .010	ALL FINISHES	125mu	DWG NO: COMPONENTS
		X.XXX	± .005	DEBURR ALL SHARP CORNERS OR EDGES		
		ANGULAR	± 1/2°	DATE:		